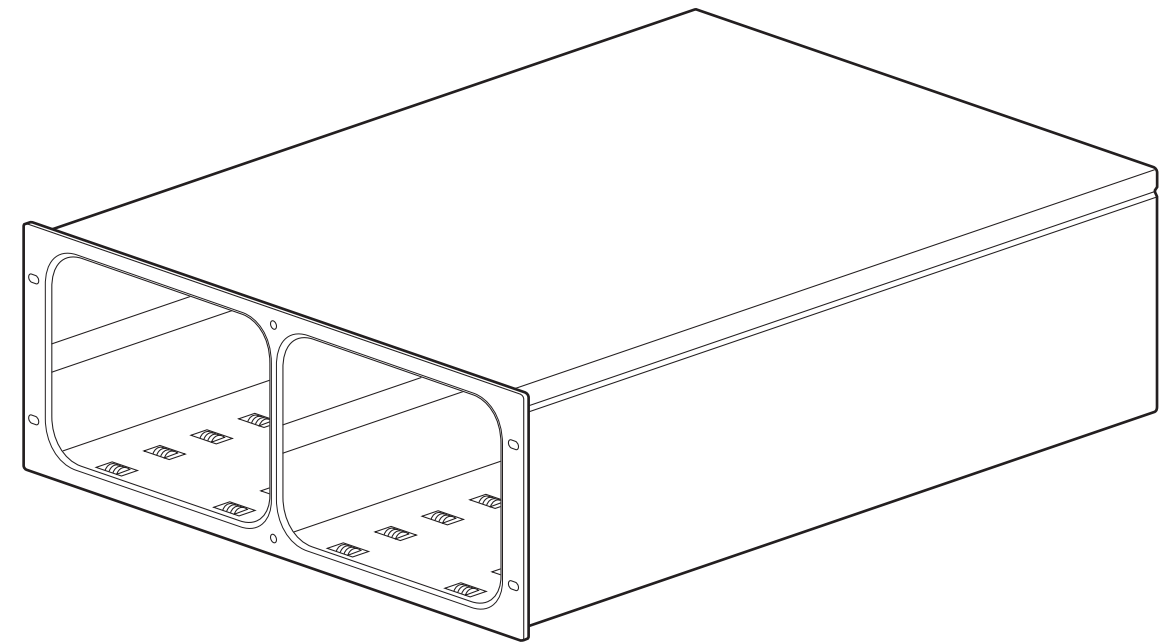




LYVE™

Mobile Rackmount Receiver



© 2021 Seagate Technology LLC. All rights reserved. Seagate, Seagate Technology and the Spiral logo are registered trademarks of Seagate Technology LLC in the United States and/or other countries. Lyve is either a trademark or registered trademark of Seagate Technology LLC or one of its affiliated companies in the United States and/or other countries. All other trademarks or registered trademarks are the property of their respective owners. Complying with all applicable copyright laws is the responsibility of the user. Seagate reserves the right to change, without notice, product offerings or specifications.

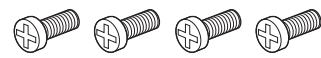
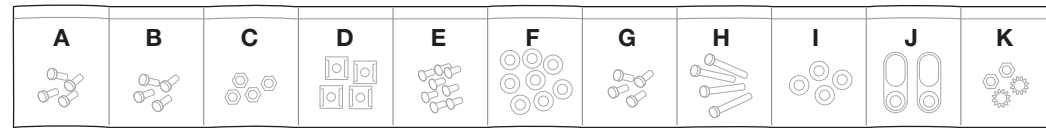
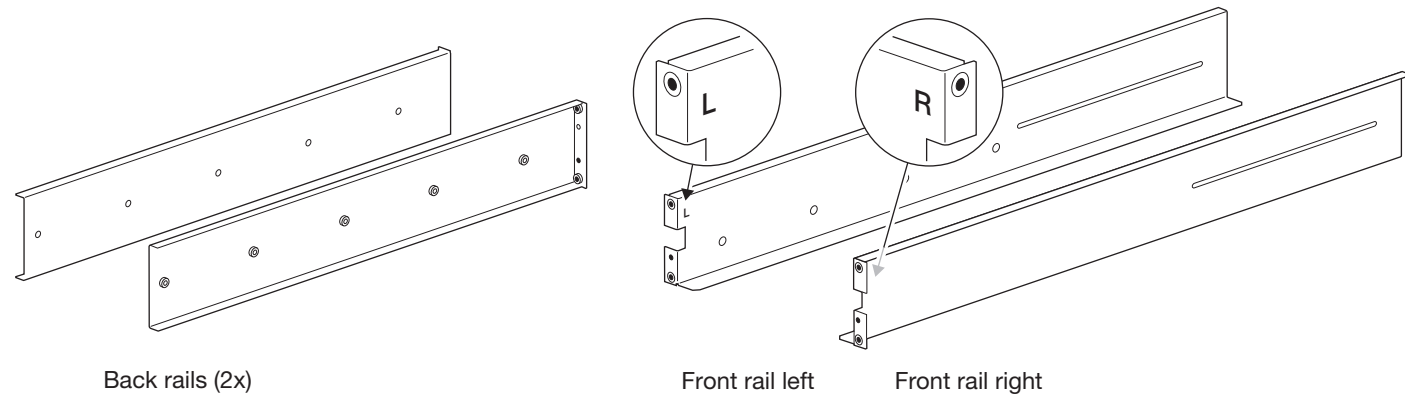
Seagate Technology LLC., 47488 Kato Road, Fremont, CA 94538 USA www.seagate.com
Seagate Technology NL B.V., Tupolevlaan 105, 1119 PA Schiphol-Rijk NL
Seagate Technology NL B.V. (UK Branch), Jubilee House, Globe Park, 3rd Ave, Marlow SL7 1EY, UK
Seagate Singapore International Headquarters Pte. Ltd., 90 Woodlands Avenue 7 Singapore 737911

PN: 100869101E 11/21

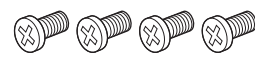


QUICK START GUIDE

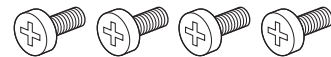
Rackmount Kit Parts List



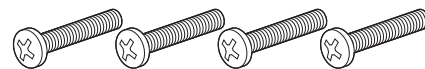
A M4 screw for 7.1 mm hole (4x)
(M4xL10 (6.8,2.5), phillips screw)



G M4 flat pan head screw (4x)
(M4xL8 phillips screw)



B M4 screw for 0.375" hole (4x)
(M4xL10 (9.1,2.5), phillips screw)



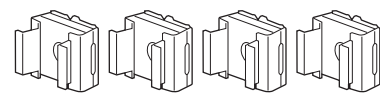
H 10-32 pan head screw (4x)
(#10-32xL25.4, phillips screw)



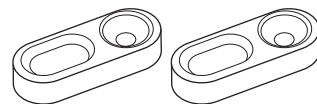
C M4 nut (4x)



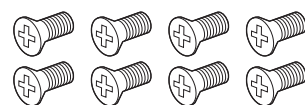
I Flat washer (4x)



D 10-32 cage nut (4x)



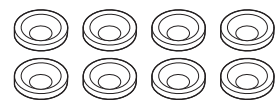
J Latch (2x)



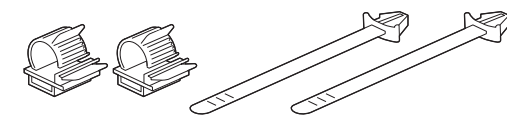
E 10-32 flat head screw (8x)
(#10-32xL12.7, phillips screw)



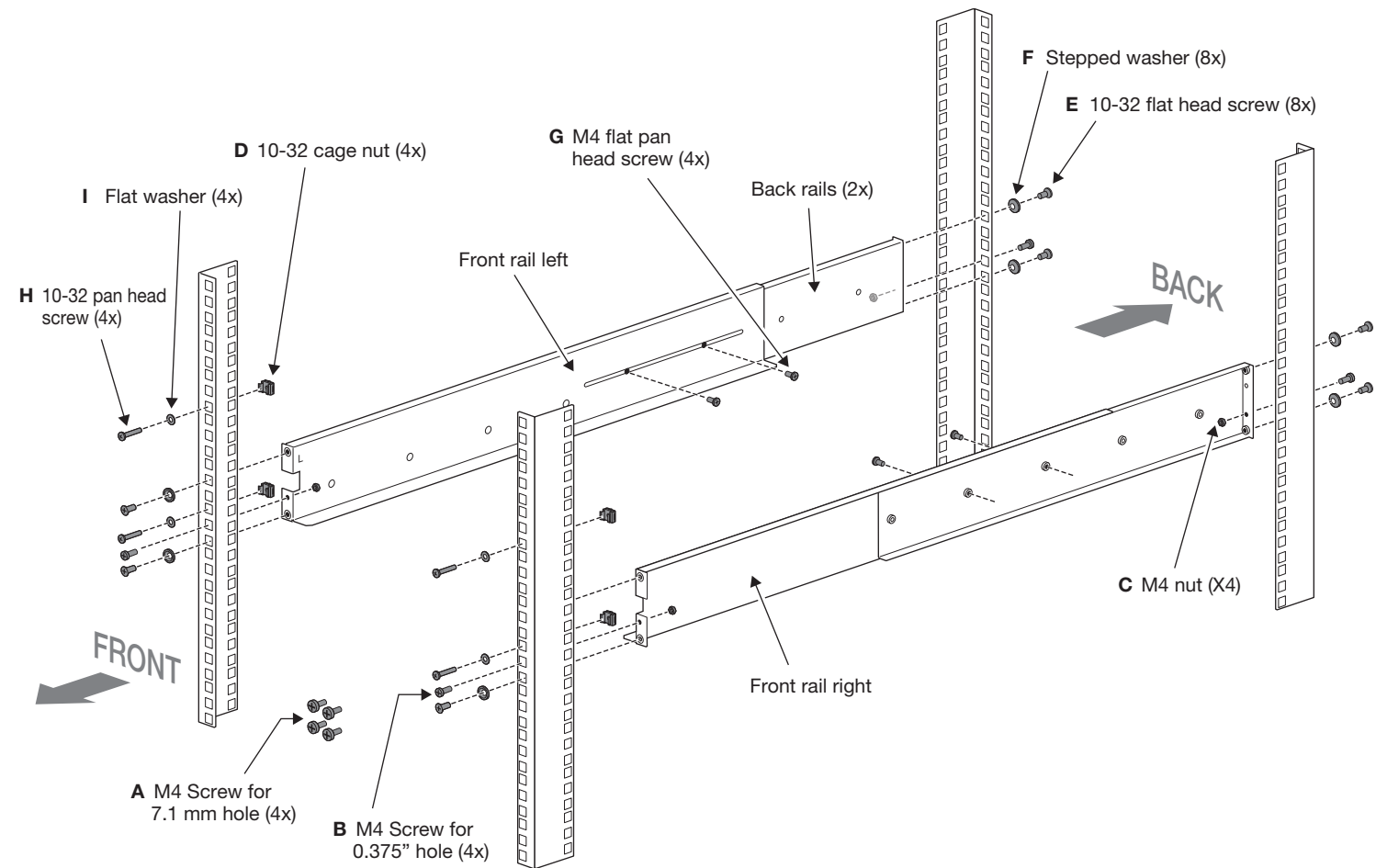
K 10-32 nut (2x)
Washer (2x)



F Stepped washer (8x)



Zip ties (2x)



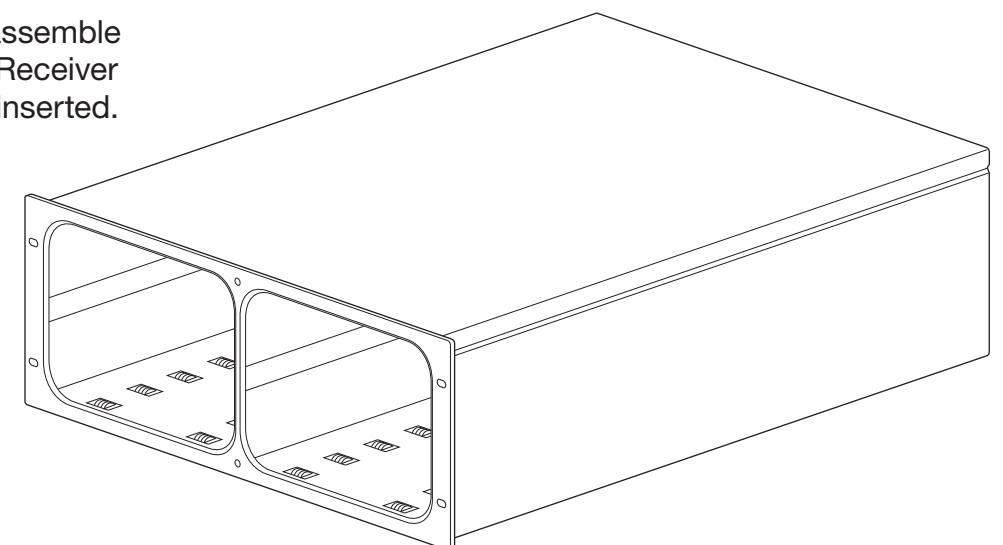
Lyve™ Mobile Rackmount Receiver



Removing Lyve Mobile Rackmount Receiver from its packaging and carrying the unit must be performed by at least two people.

Receiver weight (empty): 47.52 lb/21.6 kg

Do not attempt to lift or assemble Lyve Mobile Rackmount Receiver with compatible devices inserted.

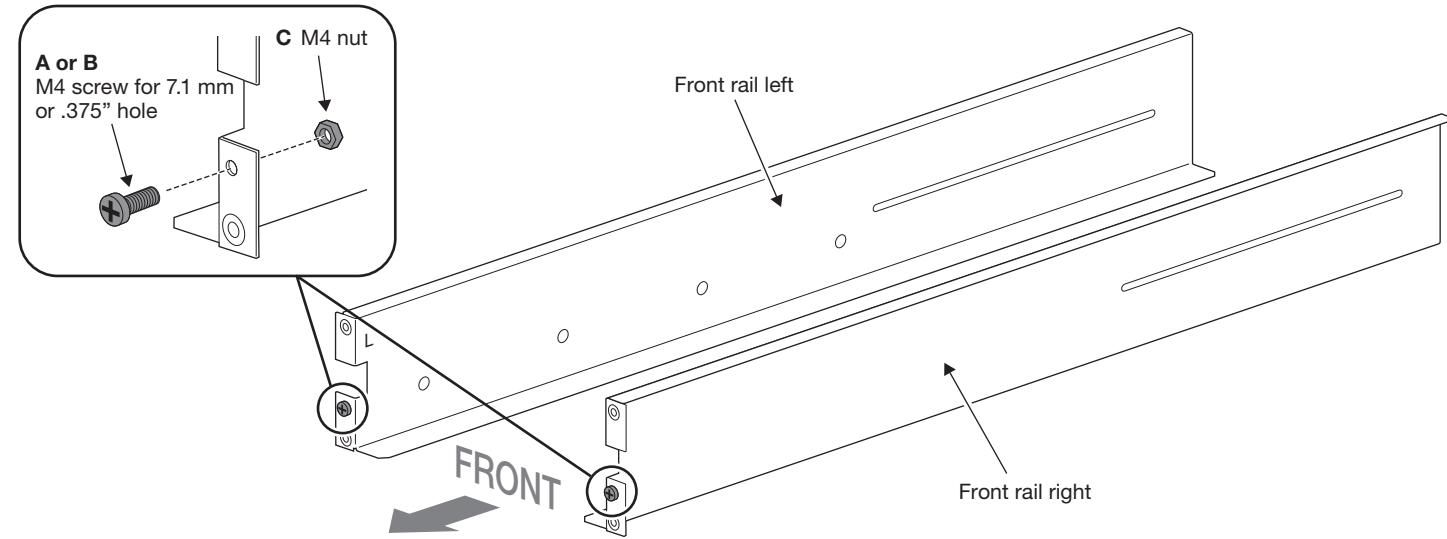


Rack Assembly

1

Attach M4 rack screws to the front rails

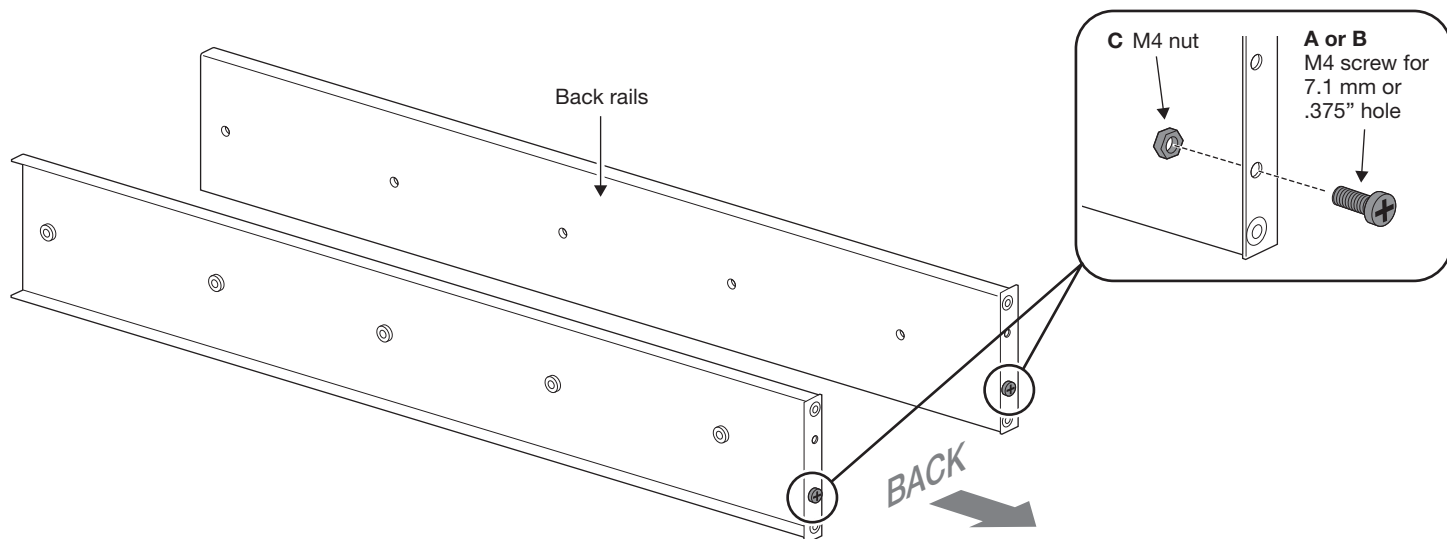
Your rack may have standard 7.1 mm or .375" openings. M4 screws are provided for both hole dimensions. Insert an M4 screw for 7.1 mm or .375" in the indicated hole on the left front rail and fasten it with an M4 nut. Repeat the process for the right front rail.



2

Attach M4 rack screws to the back rails

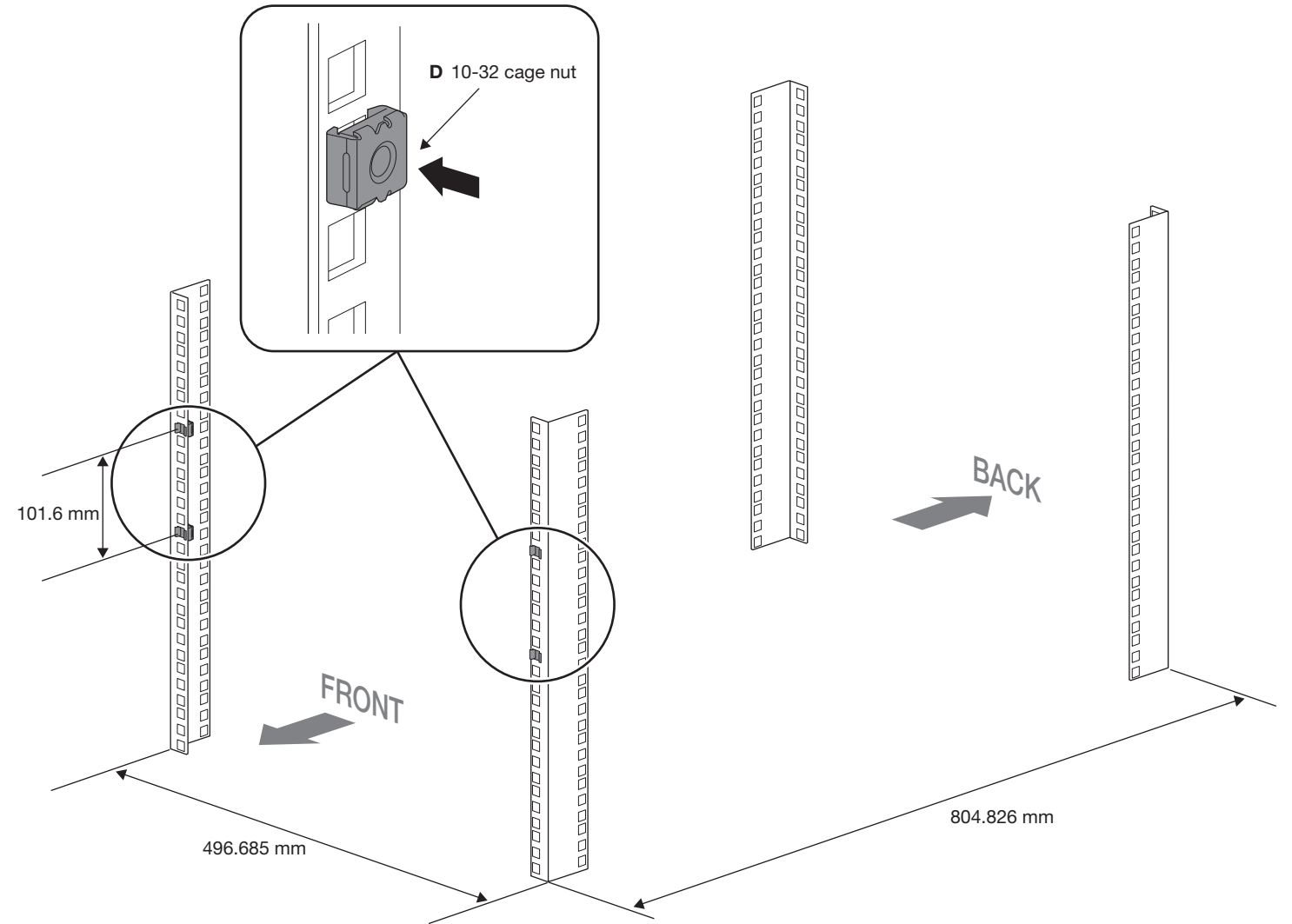
Insert M4 screws in the indicated holes on the back rails and fasten them with M4 nuts.



3

Attach cage nuts

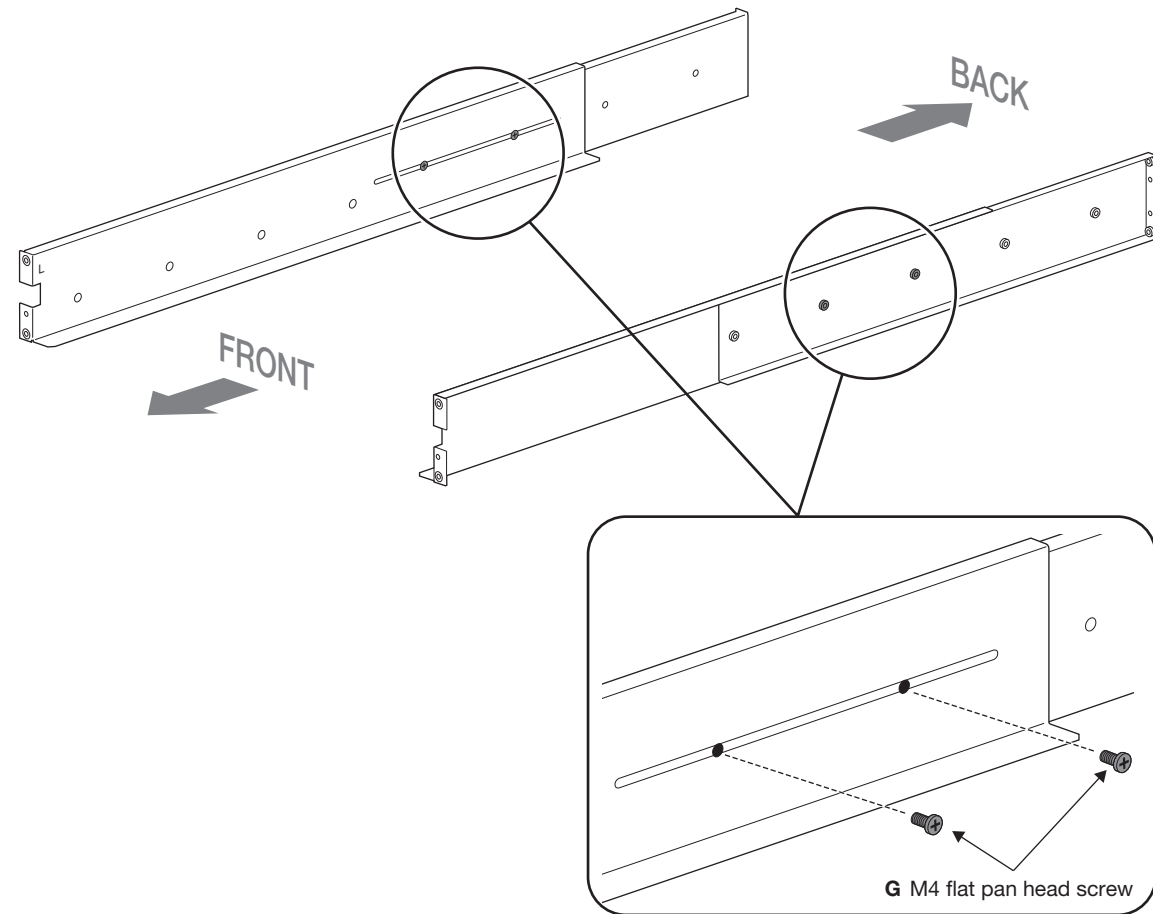
Attach two 10-32 cage nuts to each front rack post. Leave 101.6 mm space between the two nuts on each post.



4

Attach the front rails to the back rails

Use M4 flat pan head screws to loosely attach the front rails to the back rails.

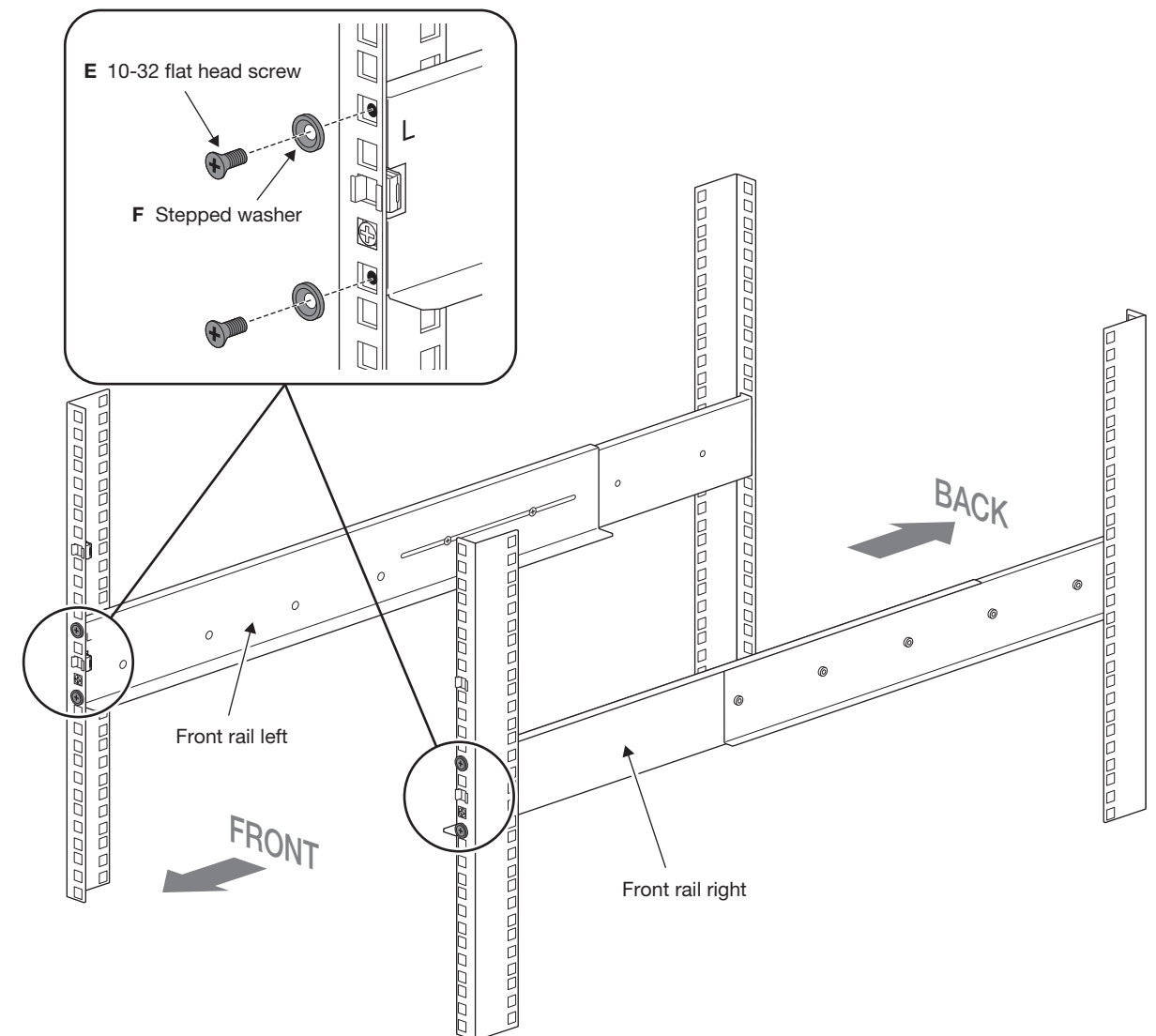


5

Attach the rails to the front of the rack

Position the left front rail on the cage nut on the left front rack post. Insert two 10-32 flat head screws into two stepped washers. Use the screw/washer assemblies to fasten the left front rail to the left front rack post.

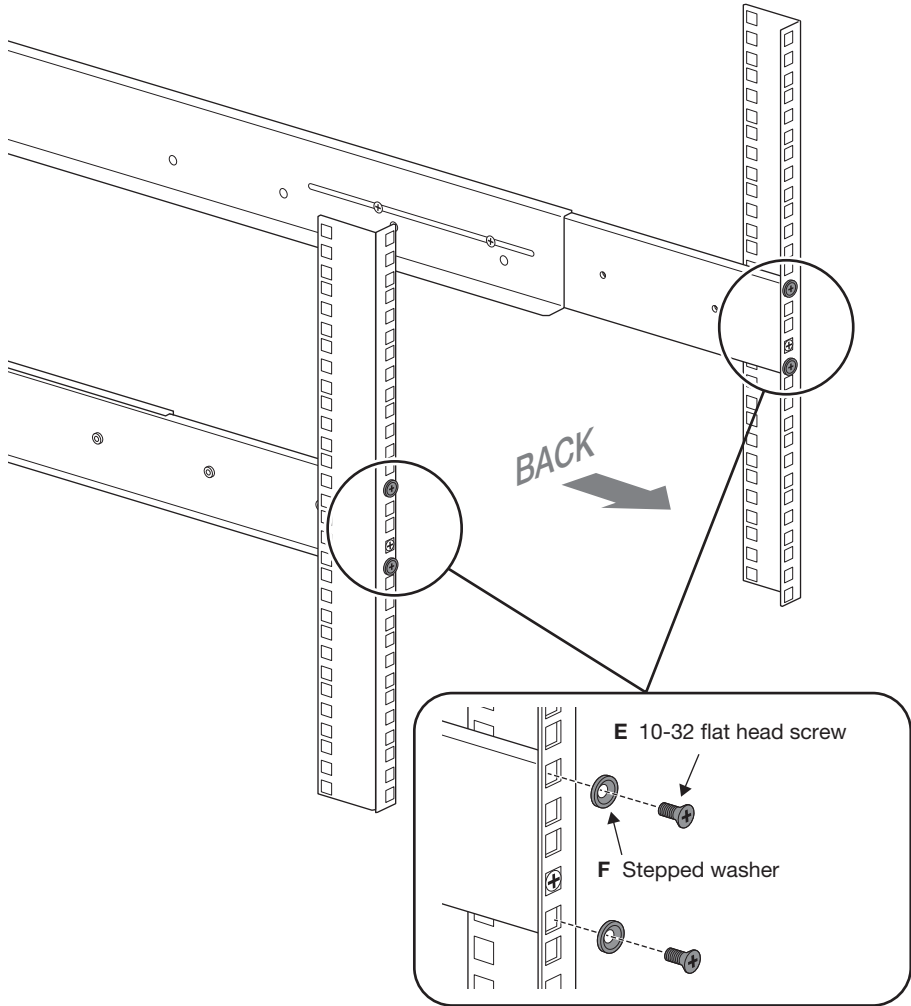
Repeat the process for the right front rail and right front rack post.



6

Attach the back rails to the back of the rack

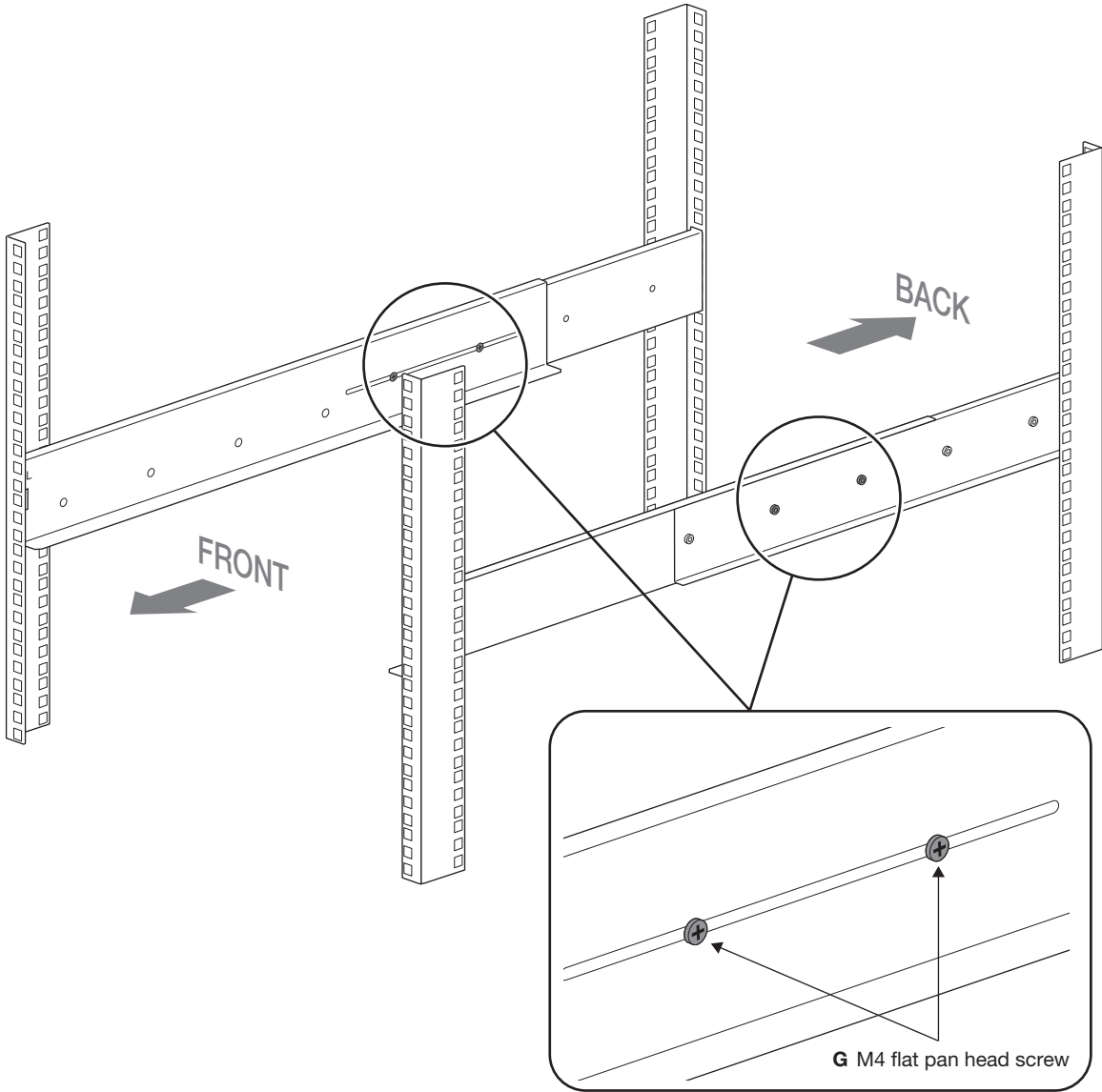
Position the back rails at the correct height on the rear rack posts. Insert two 10-32 flat head screws into two stepped washers. Use the screw/washer assemblies to fasten the back rails to the rear rack posts.



7

Tighten rail attachments

Tighten the M4 flat pan head screws attaching the front and back rails.



8

Install Lyve™ Mobile Rackmount Receiver



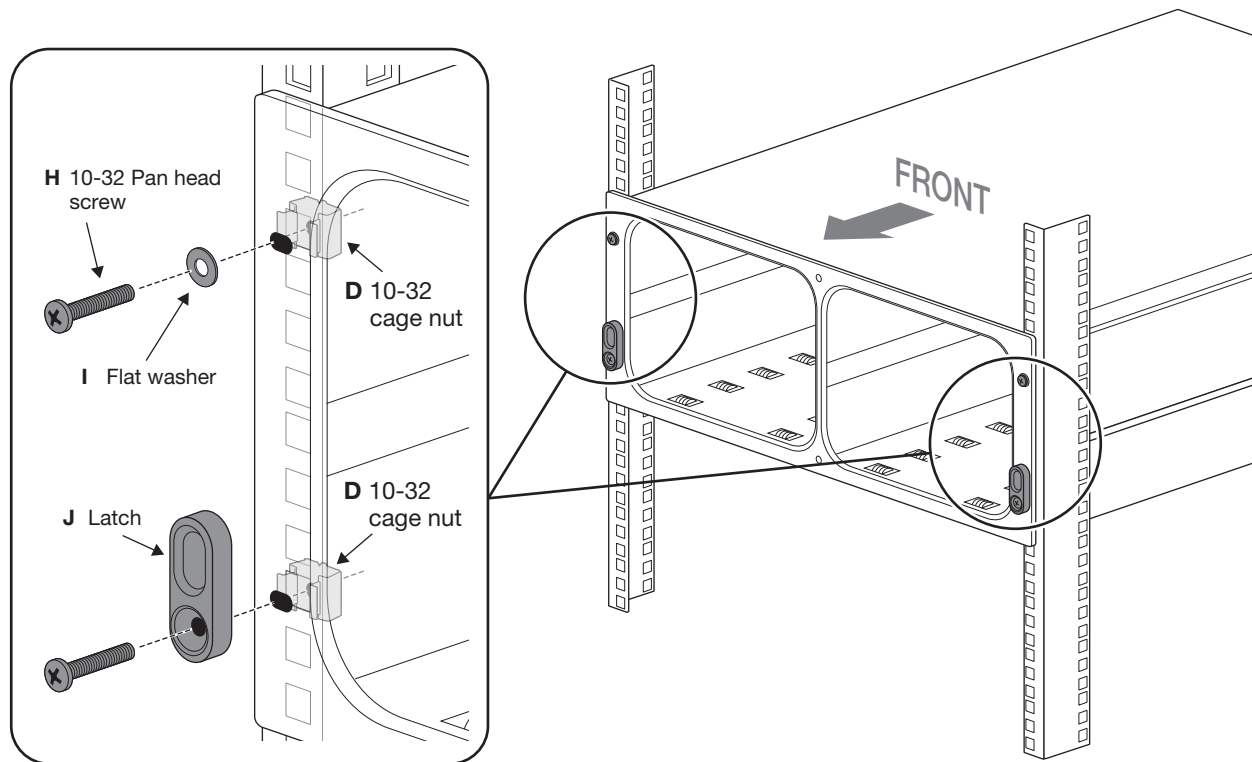
Removing Lyve Mobile Rackmount Receiver from its packaging and carrying the unit must be performed by at least two people.

Receiver weight (empty): 47.52 lb/21.6 kg

Do not attempt to lift or assemble Lyve Mobile Rackmount Receiver with compatible devices inserted.

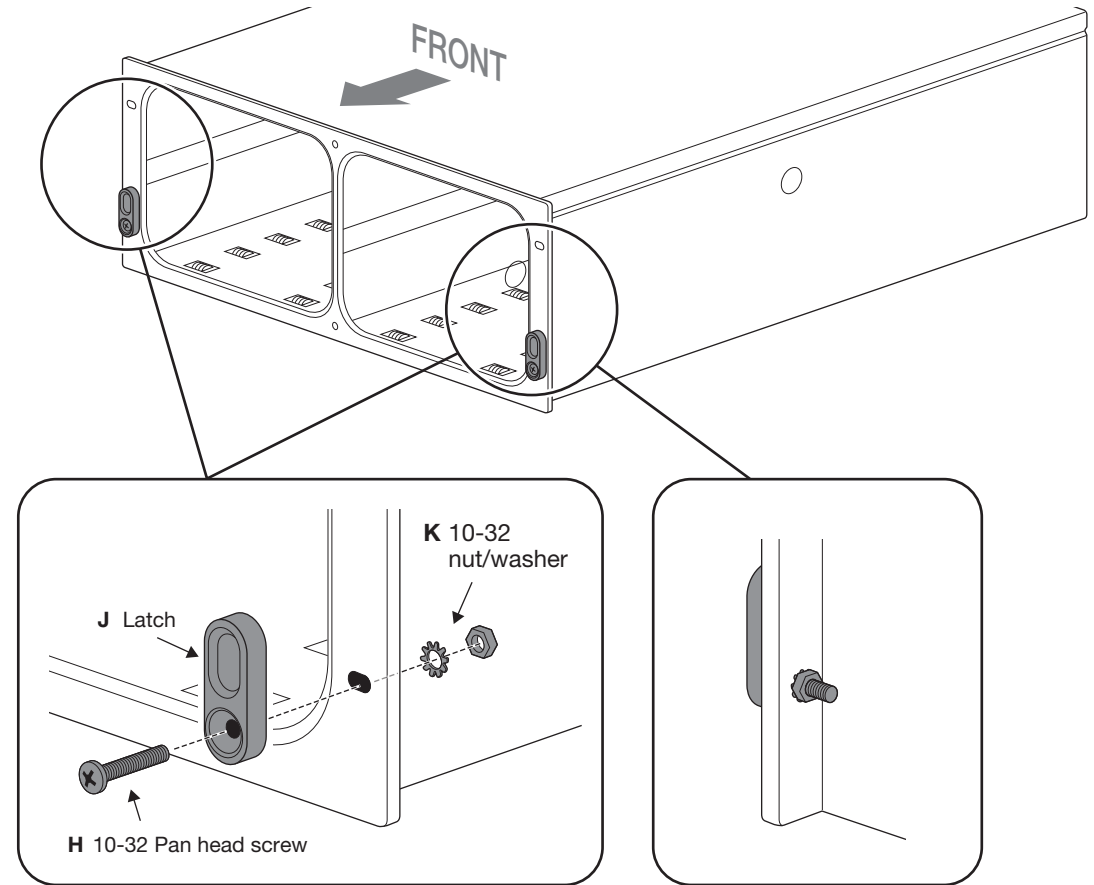
Position the front face of Lyve Mobile Rackmount Receiver over the cage nuts attached to the left and right front posts. Insert two 10-32 pan head screws into two flat washers. Use the screw/washer assemblies to attach Lyve Mobile Rackmount Receiver to the top cage nuts attached to the left and right front posts.

Insert two 10-32 screws into the two latches. Use the screw/latch assemblies to attach Lyve Mobile Rackmount Receiver to the bottom cage nuts attached to the left and right front posts.

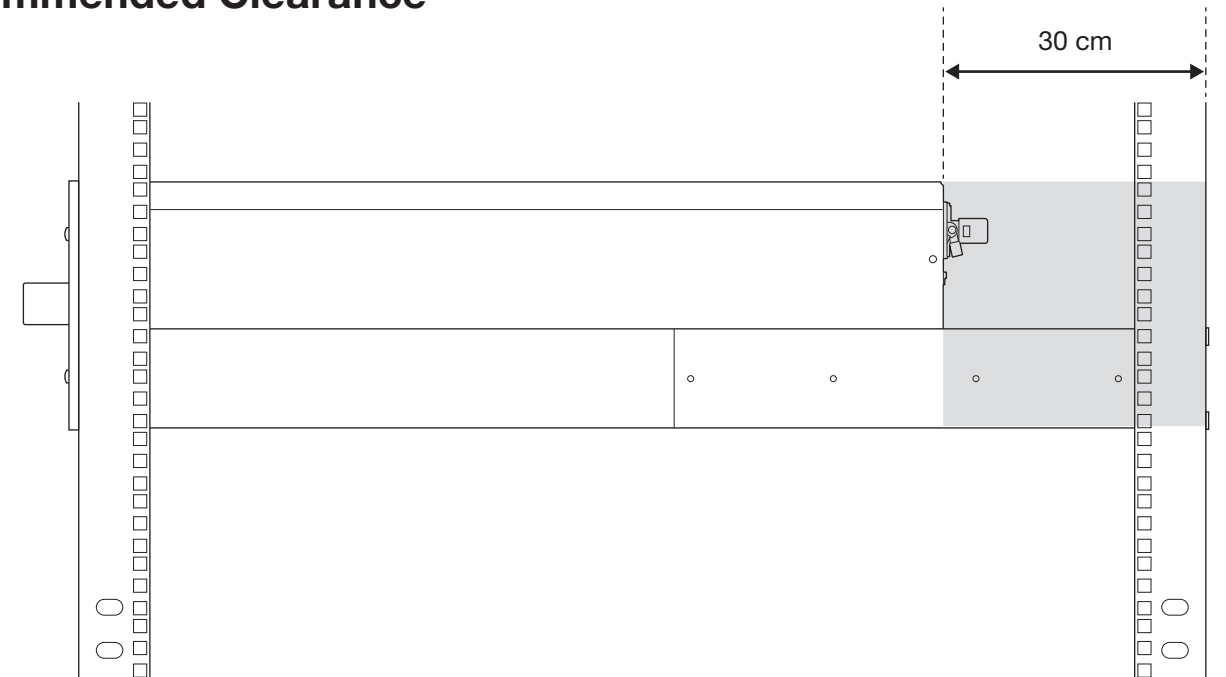


Freestanding Latch Assembly

If Lyve Mobile Rackmount Receiver is not assembled on a rack, use the additional lock washer and 10-32 hexagonal nut to attach each latch to the enclosure.

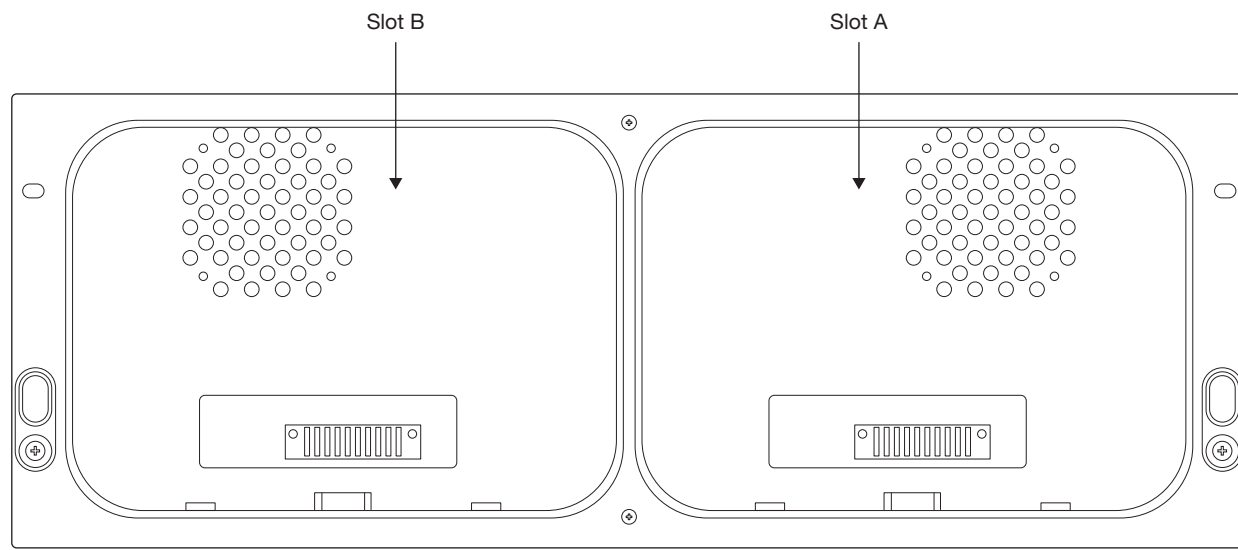


Recommended Clearance

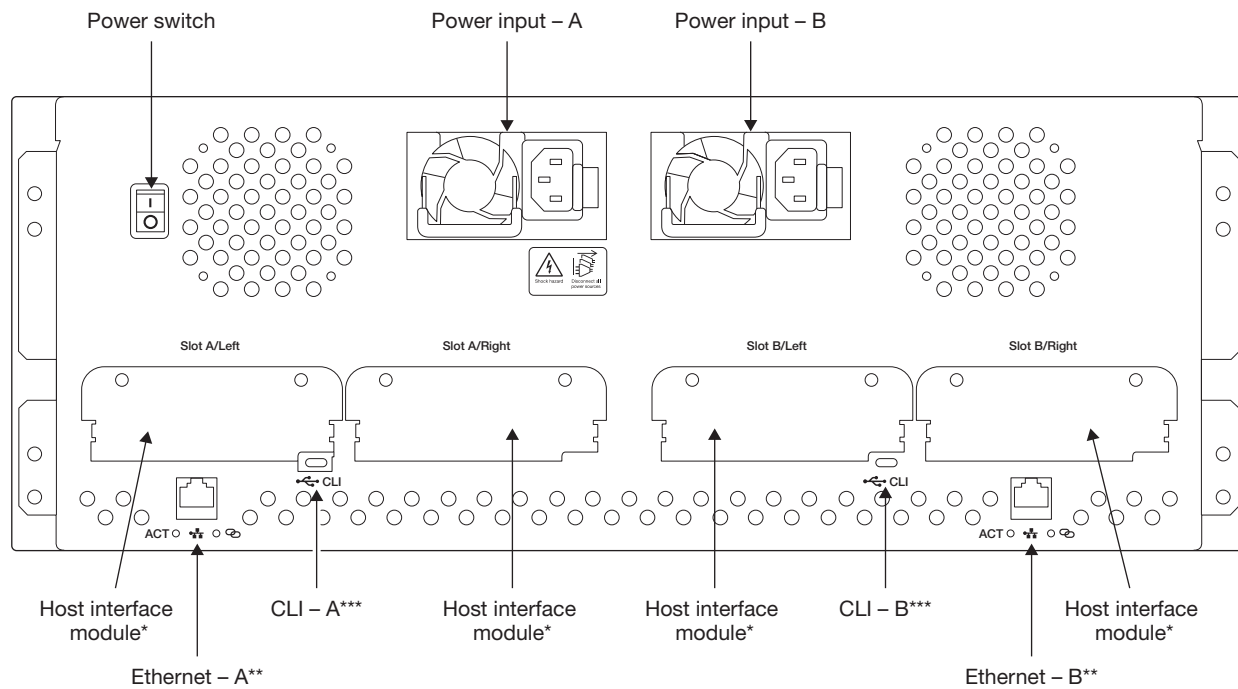


Views

Front view



Back view



* Data connectors not displayed

** Management via Lyve Client

*** For service only. Not to be used for data transfers.

Setup Requirements

Lyve Mobile devices are unlocked and accessed using the Lyve Client app. Ensure that Lyve Client has been installed on the host computer and that you have valid Lyve Management Portal credentials. See the following instructions.

Lyve Management Portal credentials

A Lyve Management Portal username and password are required to authorize computers to access devices inserted in Lyve Mobile Rackmount Receiver.

Account manager

You created a Lyve Management Portal username and password when you set up your Lyve account at lyve.seagate.com.

Product admin or product user

You were identified as a product user for a project created in the Lyve Management Portal. An email was sent to you from the Lyve team that included a link for resetting your password.

If you can't remember your credentials or you lost your email invitation, visit lyve.seagate.com. Click **Sign in** and then click the **Don't remember your password?** link. If your email isn't recognized, contact your account manager. For further help, you can contact customer support using the Lyve Virtual Assist Chat.

Download Lyve Client

To unlock and access Lyve devices connected to your computer, you must enter your username and password in the Lyve Client app. You can also use it to manage Lyve projects and data operations. Install Lyve Client on any computer intended to connect to devices inserted in Lyve Mobile Rackmount Receiver. Download the Lyve Client installer for Windows® or macOS® at www.seagate.com/support/lyve-client.

Authorize host computers

An internet connection is required when authorizing a host computer.

1. Open Lyve Client on a computer intended to host Lyve Mobile Array.
2. When prompted, enter your Lyve Management Portal username and password.

Lyve Client authorizes the host computer to unlock and access Lyve devices and manage projects on the Lyve Management Portal.

The host computer remains authorized for up to 30 days, during which you can unlock and access connected devices even without an internet connection. After 30 days, you'll need to open Lyve Client on the computer and re-enter your credentials.

Windows server setup

For details on configuring SAS, fibre channel, and iSCSI data network connectivity, see **Windows Server Setup** in www.seagate.com/manuals/rackmount-receiver.

Lyve devices lock when powered off, ejected or unplugged from the host computer, or if the host computer goes to sleep. Use Lyve Client to unlock a Lyve device when it is reconnected to the host or the host has awakened from sleep. Note that Lyve Client must be open and the user must be signed in to use Lyve devices.



www.seagate.com/support/rackmount-receiver

Setup

1

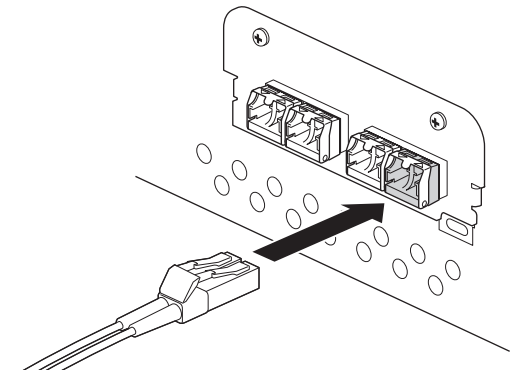
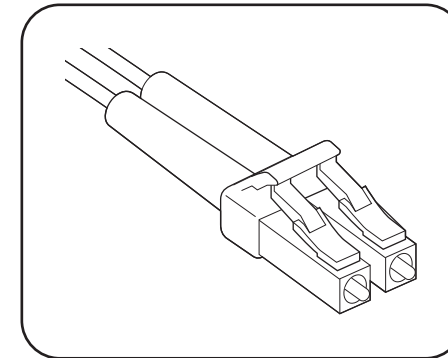
Connect to host interfaces

Lyve Mobile Rackmount Receiver is pre-configured to support one or more of these host interfaces:

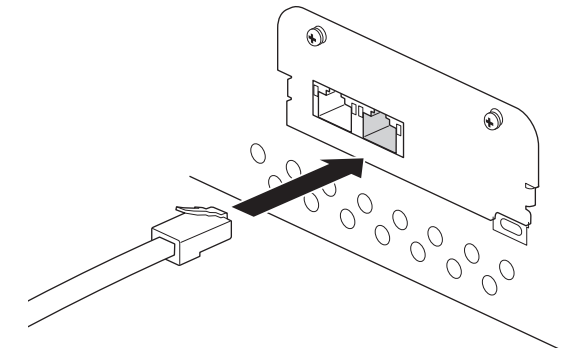
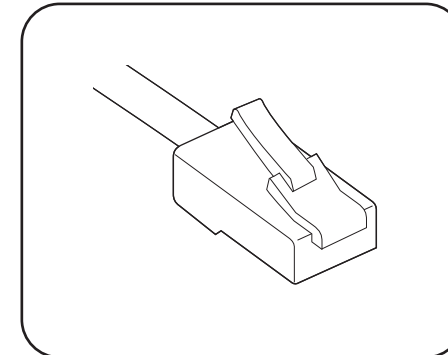
- FC 16Gb, 2-port SFP+
- iSCSI 25Gb, 4-port 10Gb SFP+
- SAS 12Gb, 2-Port SFF-8644
- FC 32Gb, 2-Port SFP+
- iSCSI 10GbaseT, 2-Port RJ45

Connect the appropriate fibre channel, Ethernet, or SAS cables to available ports on Lyve Mobile Rackmount Receiver's back panel.

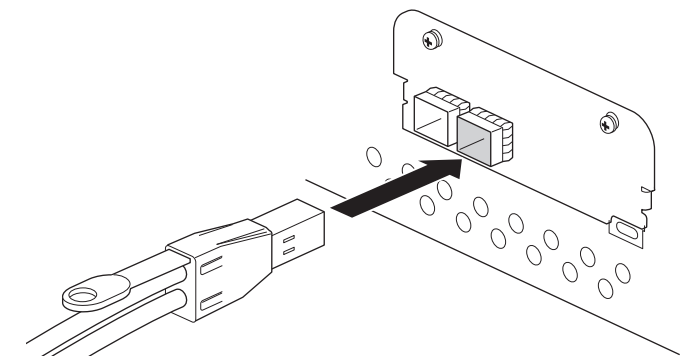
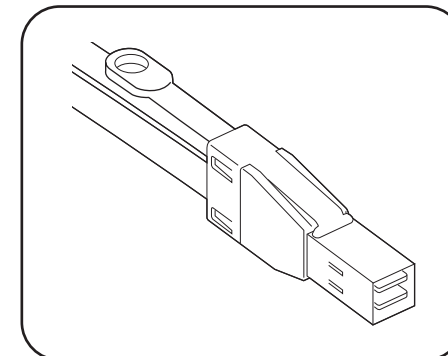
Fibre optic cable



Ethernet cable



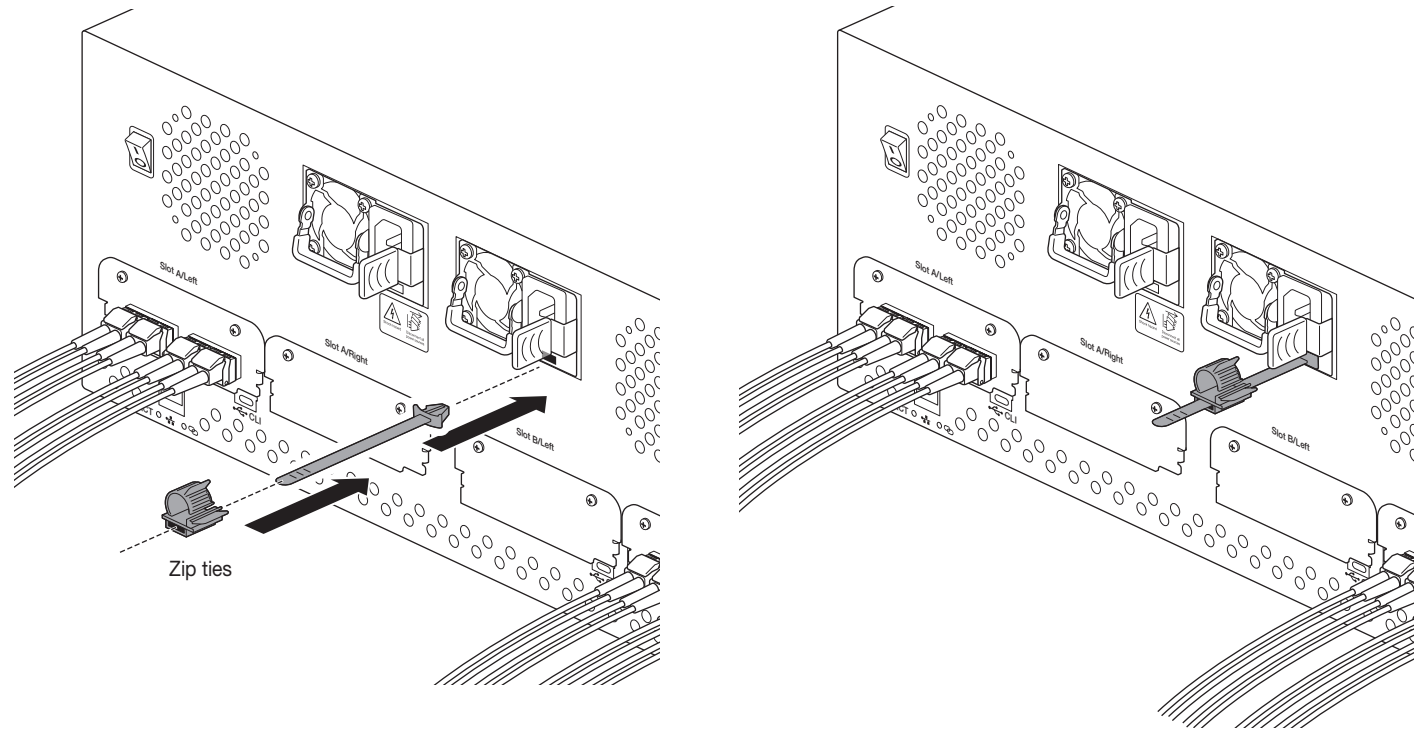
SAS cable



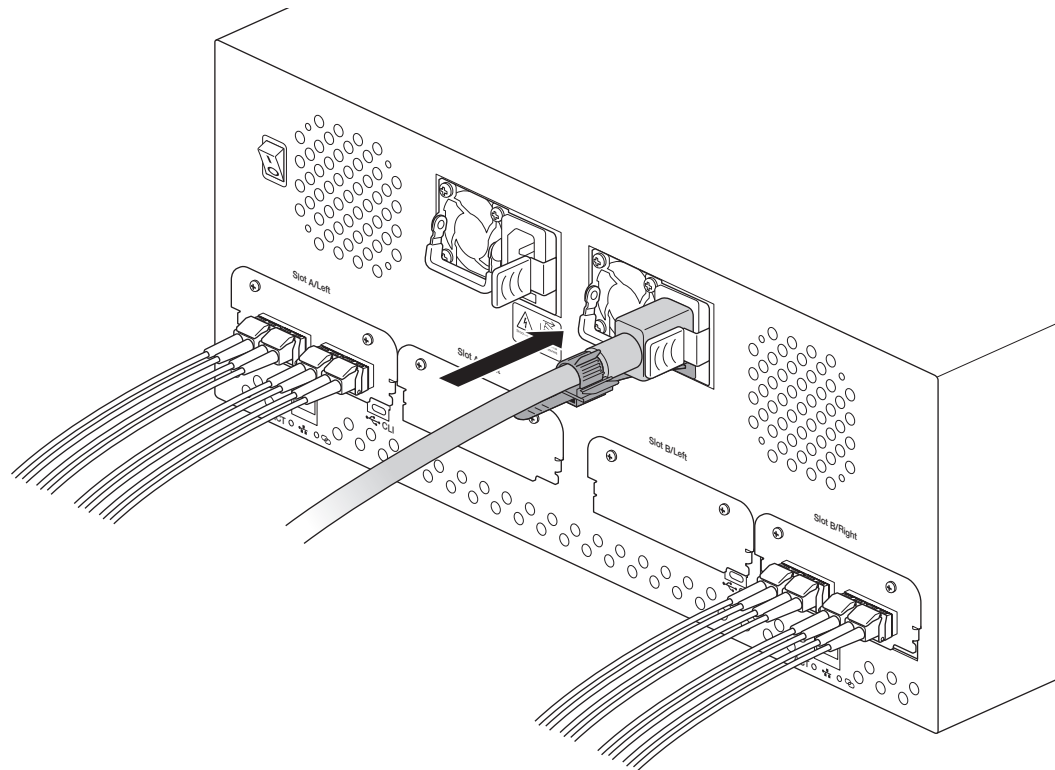
2

Connect power

Insert the zip tie into the slot below the socket.



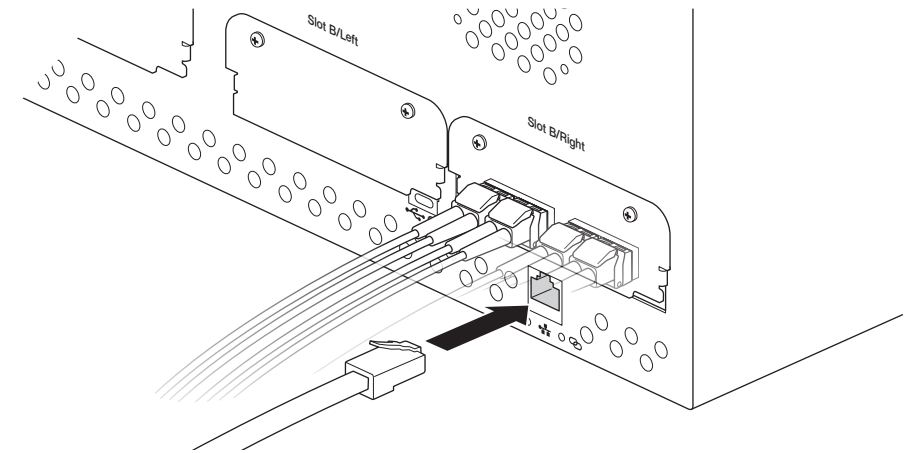
Insert the power cord into the socket and secure with the zip tie.



3

Connect Ethernet port

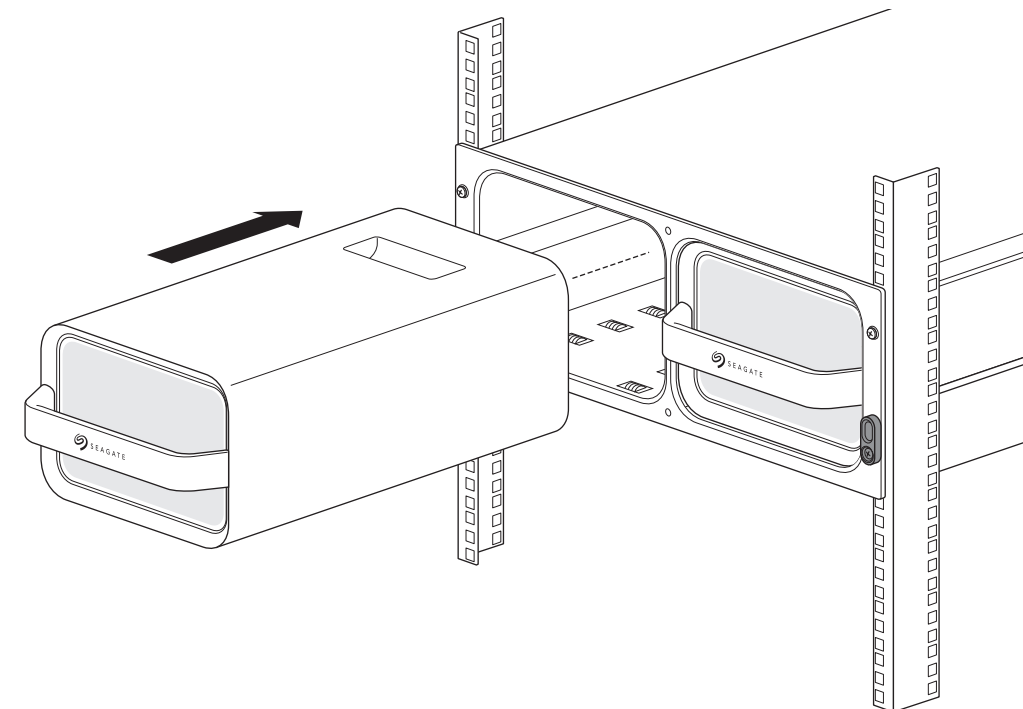
Lyve Client communicates with devices inserted in Lyve Mobile Rackmount Receiver via the Ethernet management ports. Ensure that the Ethernet management ports are connected to the same network as the host devices running Lyve Client. If no device is inserted in a slot, there's no need to connect its corresponding Ethernet management port to the network.



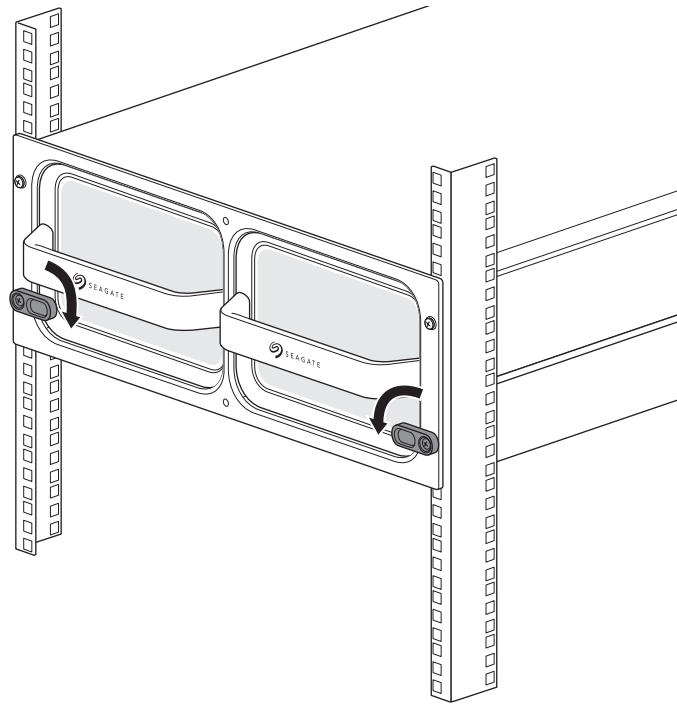
4

Connect compatible devices

Insert compatible devices into slot A or B on Lyve Mobile Rackmount Receiver.



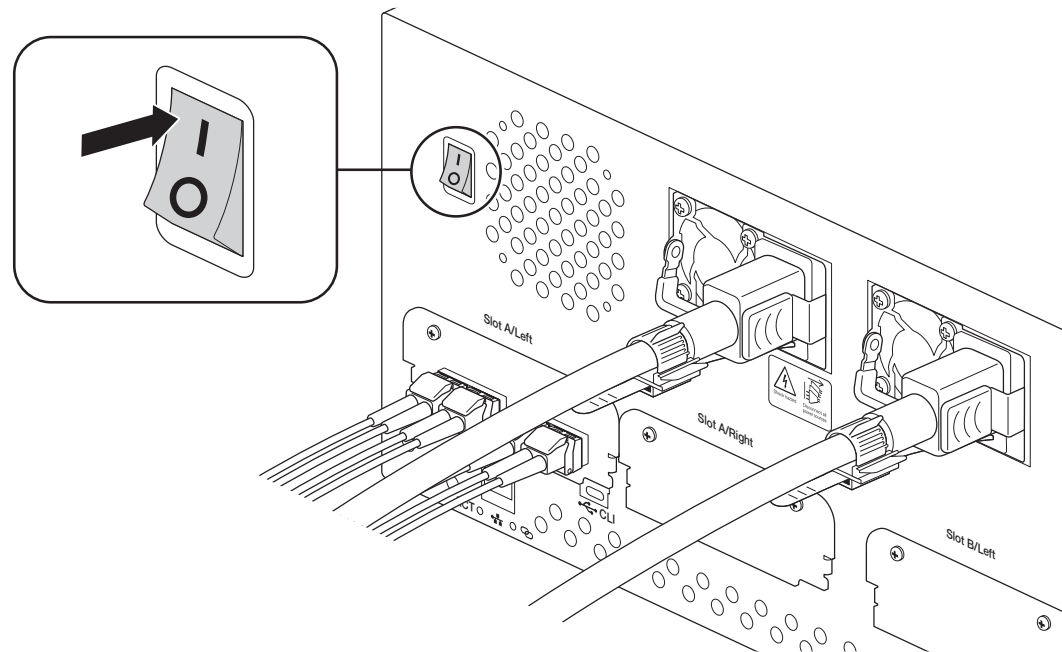
Slide device in until it's fully inserted and firmly connected to Lyve Mobile Rackmount Receiver's data and power. Close latches.



5

Turn on power

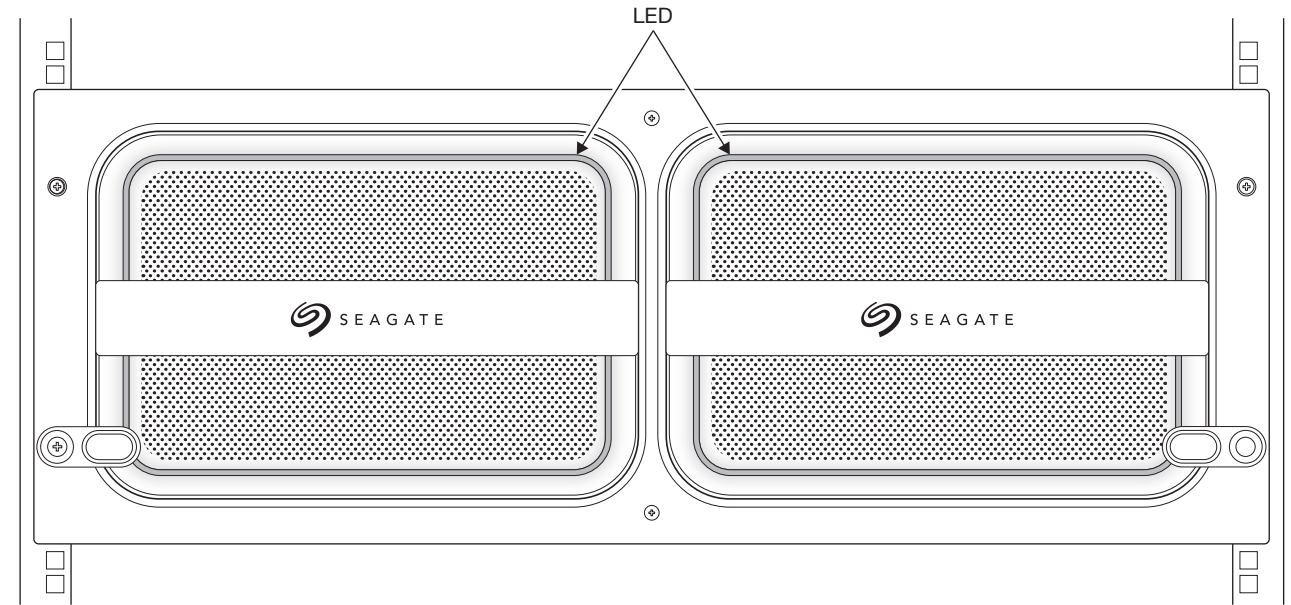
Set the power switch on Lyve Mobile Rackmount Receiver to ON.



6

Unlock the device

The LED on the device inserted in Lyve Mobile Rackmount Receiver blinks white during the boot process and turns solid orange. The solid orange LED color indicates the device is ready to be unlocked.



Make sure the Lyve Client app is running on the host computer. The host computer will automatically unlock the device if it connected to it in the past and is still authorized for security. If the host computer has never unlocked the device, you will need to enter your Lyve Management Portal username and password in the Lyve Client app. See **Setup Requirements**.

Once Lyve Client has validated permissions for the device connected to the computer, the LED on the device turns solid green. The device is unlocked and ready for use.

Safely removing a device

Your computer must perform filing and housekeeping operations on your Lyve device before it is physically removed from Lyve Mobile Rackmount Receiver. To avoid corrupting or damaging files, always eject the device's volumes from your computer before physically removing the device.

To avoid muscle strain or back injury, use proper lifting techniques when removing devices from Lyve Mobile Rackmount Receiver.

FCC DECLARATION OF CONFORMANCE

This device complies with Part 15 of the FCC Rules. Operation is subject to the following two conditions: (1) this device may not cause harmful interference, and (2) this device must accept any interference received, including interference that may cause undesired operation.

CLASS B

This equipment has been tested and found to comply with the limits for a Class B digital device, pursuant to Part 15 of the FCC Rules. These limits are designed to provide reasonable protection against harmful interference in residential installation. This equipment generates, uses, and can radiate radio frequency energy and, if not installed and used in accordance with the instructions, may cause harmful interference to radio communications.

However, there is no guarantee that interference will not occur in a particular installation. If this equipment does cause harmful interference to radio or television reception, which can be determined by turning the equipment off and on, the user is encouraged to try to correct the interference by one or more of the following measures:

- Reorient or relocate the receiving antenna.
- Increase the separation between the equipment and receiver.
- Connect the equipment into an outlet on a circuit different from that to which the receiver is connected.
- Consult the dealer or an experienced radio/TV technician for help.

CAUTION: Any changes or modifications made to this equipment may void the user's authority to operate this equipment.

China RoHS 2 table

China RoHS 2 refers to the Ministry of Industry and Information Technology Order No. 32, effective July 1, 2016, titled Management Methods for the Restriction of the Use of Hazardous Substances in Electrical and Electronic Products. To comply with China RoHS 2, we determined this product's Environmental Protection Use Period (EUP) to be 20 years in accordance with the Marking for the Restricted Use of Hazardous Substances in Electronic and Electrical Products, SJT 11364-2014.

中国 RoHS 2 是指 2016 年 7 月 1 日起执行的工业和信息化部令第 32 号“电力电子产品限制使用有害物质管理办法”。为了符合中国 RoHS 2 的要求，我们根据“电子电气产品有害物质限制使用标识”（SJT 11364-2014）确定本产品的环保使用期（EUP）为 20 年。

部件名称 Part Name	有害物質 Hazardous Substances					
	鉛 (Pb)	汞 (Hg)	鎘 (Cd)	六價鉻 (Cr ^{VI})	多溴聯苯 (PBB)	多溴二苯醚 (PBDE)
外接硬盤印刷電路板 Bridge PCB A	X	O	O	O	O	O
電源 (如果提供) Power Supply (if provided)	X	O	O	O	O	O
接口電纜 (如果提供) Interface cable (if provided)	X	O	O	O	O	O
其他外殼組件 Other enclosure components	O	O	O	O	O	O

本表格依据 SJ/T 11364 的规定编制。
This table is prepared in accordance with the provisions of SJ/T 11364-2014

O: 表示该有害物质在该部件所有均质材料中的含量均在 GB/T 26572 规定的限量要求以下。
O: Indicates that the hazardous substance contained in all of the homogeneous materials for this part is below the limit requirement of GB/T 26572.

X: 表示该有害物质至少在该部件的某一均质材料中的含量超出 GB/T 26572 规定的限量要求。
X: Indicates that the hazardous substance contained in at least one of the homogeneous materials used for this part is above the limit requirement of GB/T 26572.

Taiwan RoHS table

Taiwan RoHS refers to the Taiwan Bureau of Standards, Metrology and Inspection's (BSMI's) requirements in standard CNS 15663, Guidance to reduction of the restricted chemical substances in electrical and electronic equipment. Beginning on January 1, 2018, Seagate products must comply with the "Marking of presence" requirements in Section 5 of CNS 15663. This product is Taiwan RoHS compliant.

The following table meets the Section 5 "Marking of presence" requirements.

台灣 RoHS 是指台灣標準局計量檢驗局 (BSMI) 對標準 CNS 15663 要求的減排電子電氣設備限制化學物質指引。從 2018 年 1 月 1 日起，Seagate 產品必須符合 CNS 15663 第 5 節「含有標示」要求。本產品符合台灣 RoHS。

下表符合第 5 節「含有標示」要求。

產品名稱: 磁盤陣列擴展埠, 型號: SMAP001 Product Name: Lyve Mobile Rackmount Receiver, Model: SMAP001	限用物質及其化學符號 Restricted Substance and its chemical symbol					
	鉛 (Pb)	汞 (Hg)	鎘 (Cd)	六價鉻 (Cr ^{VI})	多溴聯苯 (PBB)	多溴二苯醚 (PBDE)
單元 Unit						
外接硬盤印刷電路板 Bridge PCB A	—	O	O	O	O	O
電源 (如果提供) Power Supply (if provided)	—	O	O	O	O	O
傳輸線材 (如果提供) Interface cable (if provided)	—	O	O	O	O	O
其他外殼組件 Other enclosure components	O	O	O	O	O	O

備考 1. "O" 係指該項限用物質之百分比含量未超出百分比含量基準值。
Note 1. "O" indicates that the percentage content of the restricted substance does not exceed the percentage of reference value of presence.

備考 2. "—" 係指該項限用物質為排除項目。
Note 2. "—" indicates that the restricted substance corresponds to the exemption.

額定電壓/額定電流: 100-240VDC/9.4-4.72A (x2) 操作溫度: 5-40 °C

この装置は、クラスB機器です。この装置は、住宅環境で使用することを目的としていますが、この装置がラジオやテレビジョン受信機に近接して使用されると、受信障害を引き起こすことがあります。取扱説明書に従って正しい取り扱いをして下さい。 VCCI—B

