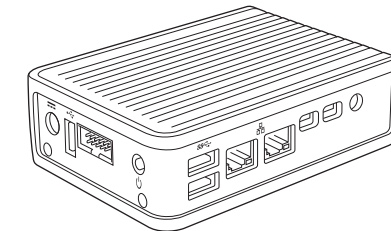
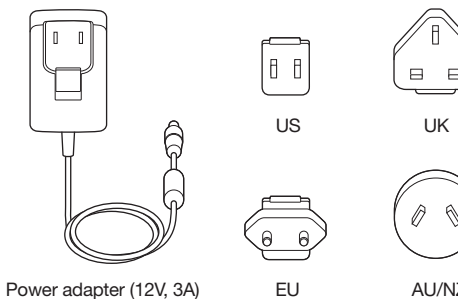


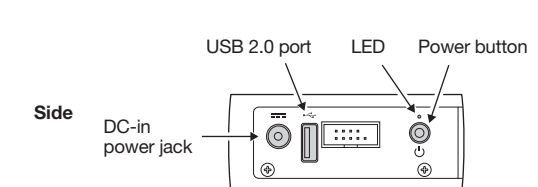
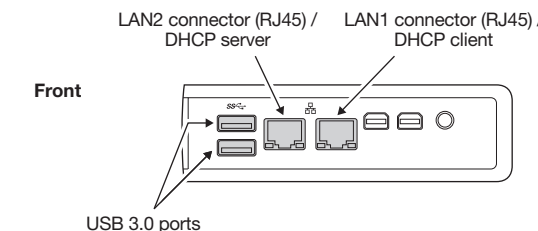
Parts list



Lyve™ Mobile Padlock



Views



Unidentified ports are intentionally disabled.

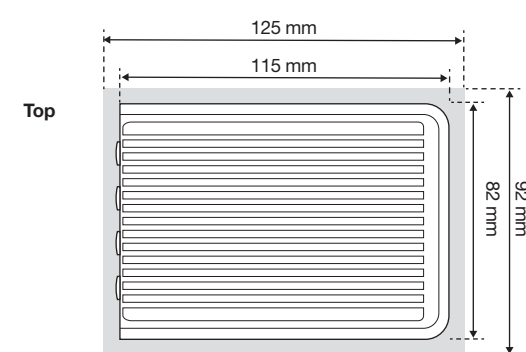
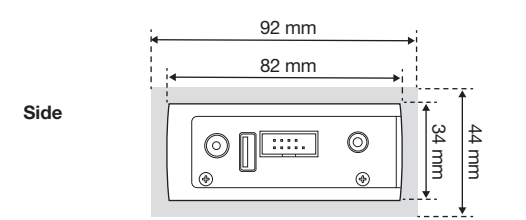
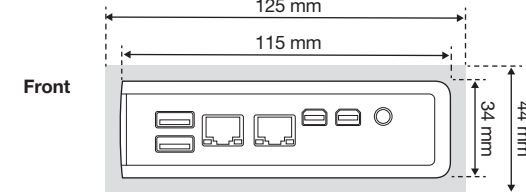
Mounting installation

Mounting options include:

- DIN-mount
- VESA-mount
- Wall-mount

Visit www.onlogic.com for mounting accessories and instructions for safe use and installation.

Recommended clearance zones



Connection types

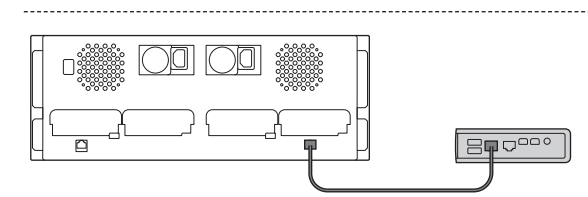
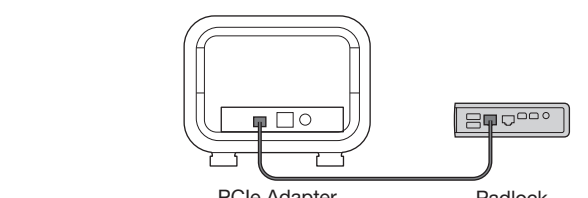
Lyve Mobile Padlock unlocks Lyve Mobile Arrays using the following interfaces:

- PCIe Adapter in Lyve Mobile Mount
- Fibre Channel or SAS via Lyve Mobile Rackmount Receiver

Padlock does not support iSCSI connected devices.

Direct connection

Padlock's LAN2 (DHCP server) port can be directly connected to an Ethernet port on PCIe Adapter or Rackmount Receiver. Padlock can unlock only one device connected to the Ethernet port.



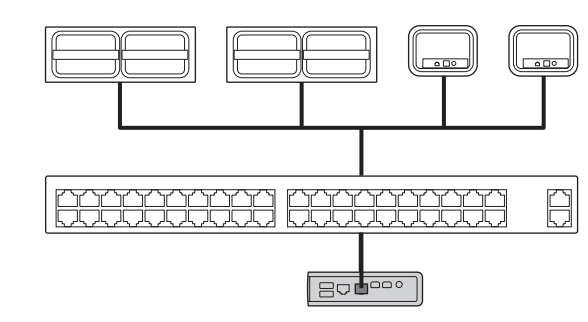
Shown above: Padlock connected to Slot B's Ethernet port. If Lyve Mobile Array is in Slot A, connect the Ethernet cable to Slot A's Ethernet port.

Requirements

Network connection

In network environments, PCIe Adapter and Rackmount Receiver Ethernet ports are connected to a network switch. Padlock's LAN1 (DHCP client) port can be connected to the same network switch to communicate with the devices.

Important: The network must provide DHCP addressing.



Connect Lyve Mobile Array

Before configuring Lyve Mobile Padlock to automatically unlock a Lyve Mobile Array, you must set up Lyve Mobile Array with your host device. Make certain to make all physical connections to the relevant ports.

- Lyve Mobile Array User Manual
www.seagate.com/lyve-mobile-array
- Lyve Mobile PCIe Adapter User Manuals
www.seagate.com/pcie-adapter
www.seagate.com/pcie-adapter-front-loader
- Lyve Mobile Rackmount Receiver User Manual
www.seagate.com/rackmount-receiver

USB external drive with Lyve token file

Lyve Mobile Padlock lets you unlock Lyve Mobile Arrays using an encrypted **Lyve token file** stored on a USB external drive. A **product admin** must provide you with a token file authorizing your Padlock to access Lyve Mobile devices.

Copy the Lyve token file to an external storage device capable of connecting via a USB Type A connector. The Lyve token file must be copied to the root level of the USB storage device to be detected by Lyve Mobile Padlock.

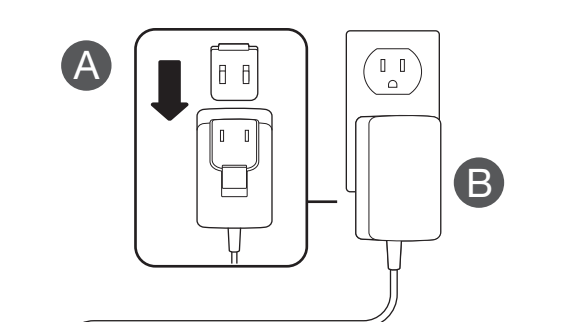


External storage device is not included with Lyve Mobile Padlock. Most drive formats are supported **except** APFS and ReFS.

For details on managing security for Lyve Mobile devices, go to www.seagate.com/lyve-security.

1 Connect power

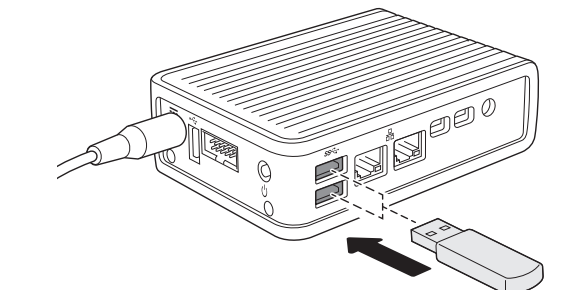
- Place the adapter plug for your location into the channel on the power supply. Slide it down to lock it in place.
- Connect the power adapter to a live power outlet.
- Connect the power cable to the power port on the side of Padlock.



If Lyve Mobile Padlock does not turn on automatically upon connection to a live outlet, press the power button.

2 Connect external USB drive to Padlock

Connect the external USB drive containing a Lyve token file to one of the USB 3.0 ports on the front of Padlock.



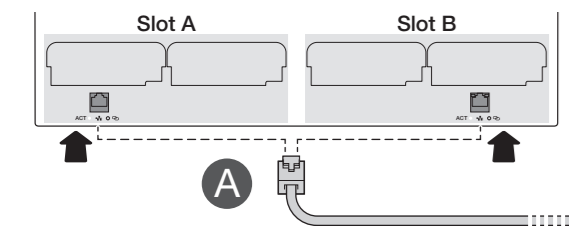
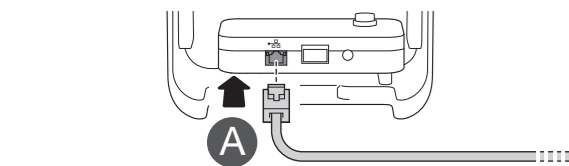
3 Connect Padlock

You can connect a single Lyve Mobile Array using Direct connection as well as multiple Lyve Mobile Arrays using Network connection. Padlock supports simultaneous Direct and Network connections.

Direct connection

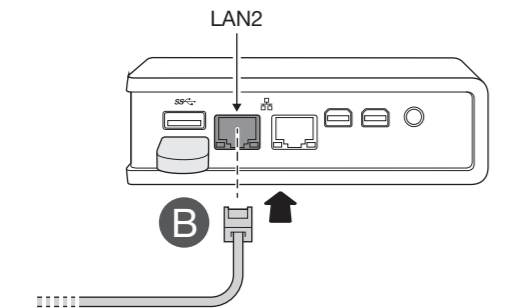
A Connect an Ethernet cable to an Ethernet management port on PCIe Adapter or Rackmount Receiver. (Ethernet cable not included.)

Padlock can unlock only one device via Direct connection.



A direct connection only supports one Lyve Mobile Array. Make sure the Ethernet cable is connected to the correct Ethernet port on the back of Rackmount Receiver.

B Connect the other end of the Ethernet cable to the LAN2 port (DHCP server).

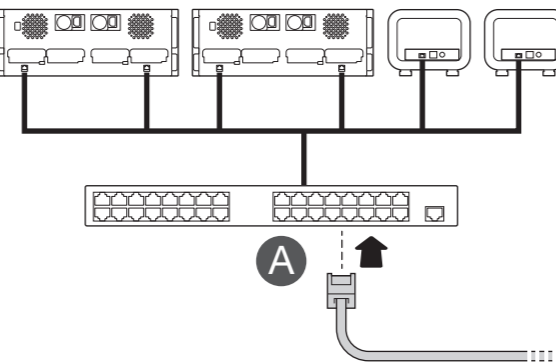


The LED on Lyve Mobile Array changes from solid orange to solid green, indicating that Padlock has successfully unlocked the device.

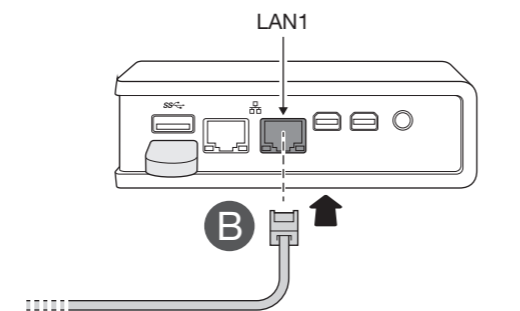
Network connection

A Connect an Ethernet cable to an Ethernet switch for the network that includes PCIe Adapters and/or Rackmount Receivers. (Ethernet cable not included.)

Important: The network must provide DHCP addressing.



B Connect the other end of the Ethernet cable to the LAN1 port (DHCP client).



The LED on Lyve Mobile Array changes from solid orange to solid green, indicating that Padlock has successfully unlocked the device.

Ensure device detection

If a Lyve Mobile Array's storage is not detected by the host computer, you may need to scan for new hardware.

Windows®

1. On the Windows host computer, open Device Manager.
2. Right-click **Disk drives** and select **Scan for hardware changes**.

Linux®

1. On the Linux station, open a terminal session.
2. Enter the following:
rescan-scsi-bus.sh

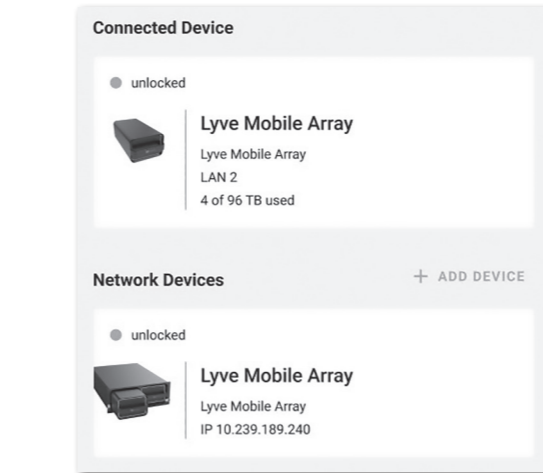
Padlock web interface

You can monitor Lyve Mobile Padlock or add a device manually from a Windows PC.

On your Windows PC, open a file browser and click on **Network**. Click on the Padlock icon under **Other Devices**. The Padlock interface will launch in your default web browser.

The web interface can be helpful if one or more authorized Lyve Mobile Arrays remain locked. You can:

- Confirm that Padlock has detected locked devices.
- Add a device manually using its IP address and serial number.



FCC DECLARATION OF CONFORMANCE

This device complies with Part 15 of the FCC Rules. Operation is subject to the following two conditions: (1) this device may not cause harmful interference, and (2) this device must accept any interference received, including interference that may cause undesired operation.

CLASS A

NOTE: This equipment has been tested and found to comply with the limits for a Class A digital device, pursuant to Part 15 of the FCC Rules. These limits are

designed to provide reasonable protection against harmful interference when the equipment is operated in a commercial environment. This equipment generates, uses, and can radiate radio frequency energy and, if not installed and used in accordance with the instruction manual, may cause harmful interference to radio communications. Operation of this equipment in a residential area is likely to cause harmful interference in which case the user will be required to correct the interference at his own expense.



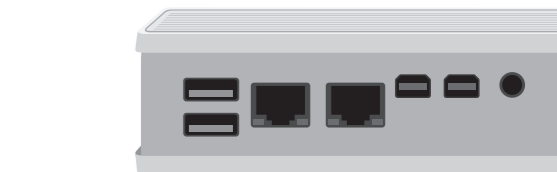
© 2023 Seagate Technology LLC. All rights reserved. Seagate, Seagate Technology and the Spiral logo are registered trademarks of Seagate Technology LLC in the United States and/or other countries. Lyve is either a trademark or registered trademark of Seagate Technology LLC or one of its affiliated companies in the United States and/or other countries. The PCIe word mark and/or PCIeExpress design mark are registered trademarks and/or service marks of PCI-SIG. All other trademarks or registered trademarks are the property of their respective owners. Complying with all applicable copyright laws is the responsibility of the user. Seagate reserves the right to change, without notice, product offerings or specifications.

Seagate Technology LLC., 47488 Kato Road, Fremont, CA 94538 USA www.seagate.com
Seagate Technology NL B.V., Tupolevlaan 105, 1119 PA Schiphol-Rijk NL
Seagate Technology NL B.V. (UK Branch), Jubilee House, Globe Park, 3rd Ave, Marlow SL7 1EY, UK
Seagate Singapore International Headquarters Pte. Ltd., 90 Woodlands Avenue 7 Singapore 737911

PN: 204594000 07/23



LYVE™ Mobile Padlock



QUICK START GUIDE