



Lyve Mobile Mount User Manual

© 2020 Seagate Technology LLC. All rights reserved. Seagate, Seagate Technology, the Spiral logo, and LaCie logo are trademarks or registered trademarks of Seagate Technology LLC or one of its affiliated companies in the United States and/or other countries. Lyve is either a trademark or registered trademark of Seagate Technology LLC or one of its affiliated companies in the United States and/or other countries. When referring to drive capacity, one gigabyte, or GB, equals one billion bytes and one terabyte, or TB, equals one thousand billion bytes. Your computer's operating system may use a different standard of measurement and report a lower capacity. In addition, some of the listed capacity is used for formatting and other functions and will not be available for data storage. Quantitative usage examples for various applications are for illustrative purposes. Actual quantities will vary based on various factors, including file size, file format, features, and application software. The export or re-export of hardware or software containing encryption may be regulated by the U.S. Department of Commerce, Bureau of Industry and Security (for more information, visit www.bis.doc.gov) and controlled for import and use outside of the U.S. Actual data rates may vary depending on operating environment and other factors. Complying with all applicable copyright laws is the responsibility of the user. All coded instruction and program statements contained herein is, and remains copyrighted works and confidential proprietary information of Seagate Technology LLC or its affiliates. Any use, derivation, dissemination, reproduction, or any attempt to modify, reproduce, distribute, disclose copyrighted material of Seagate Technology LLC, for any reason, in any manner, medium, or form, in whole or in part, if not expressly authorized, is strictly prohibited. Seagate reserves the right to change, without notice, product offerings or specifications.

Seagate Technology LLC
47488 Kato Road
Fremont, CA 94538 U.S.A

Seagate Technology (Netherlands) B.V.
Koolhovenlaan 1



Click here to access an up-to-date online version
of this document. You will also find the most recent content as well as expandable illustrations, easier navigation, and search capability.

Seagate Singapore International Headquarters Pte. Ltd.
90 Woodlands Avenue 7
Singapore 737911

Contents

1	Setup Requirements	3
	Lyve Management Portal credentials	3
	Download Lyve Client	3
	Authorize host computers	3
2	Install Lyve Mobile Mount	5
	Recommended clearances	5
3	Connect Lyve Mobile Array	7
	Step 1 - Release handle	7
	Step 2 - Insert and attach device	7
	Step 3 - Lock device in place	8

Setup Requirements

Lyve Management Portal credentials

A Lyve Management Portal username and password are required to authorize computers to access connected devices connected.

Account manager—You created a Lyve Management Portal username and password when you set up your Lyve account at lyve.seagate.com.

Product admin or product user—You were identified as a product user for a project created in the Lyve Management Portal. An email was sent to you from the Lyve team that included a link for resetting your password.



If you can't remember your credentials or you lost your email invitation, visit lyve.seagate.com. Click **Sign in** and then click the **Don't remember your password?** link. If your email isn't recognized, contact your account manager. For further help, you can contact customer support using the Lyve Virtual Assist Chat.

Download Lyve Client

To unlock and access Lyve devices connected to your computer, you must enter your username and password in the Lyve Client app. You can also use it to manage Lyve projects and data operations. Install Lyve Client on any computer intended to connect to a Lyve device. Download the Lyve Client installer for Windows® or macOS® at www.seagate.com/support/lyve-client.

Authorize host computers

An internet connection is required when authorizing a host computer.

1. Open Lyve Client on a computer intended to host Lyve Mobile Array.
2. When prompted, enter your Lyve Management Portal username and password.

Lyve Client authorizes the host computer to unlock and access Lyve devices and manage projects on the Lyve Management Portal.

The host computer remains authorized for up to 30 days, during which you can unlock and access connected

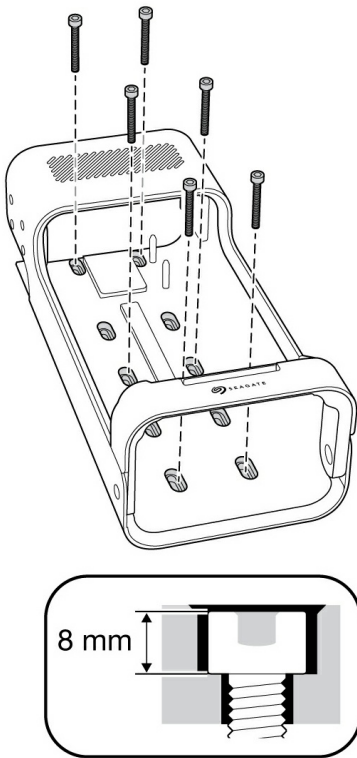
devices even without an internet connection. After 30 days, you'll need to open Lyve Client on the computer and re-enter your credentials.



Lyve Mobile Array locks when powered off, ejected or unplugged from the host computer, or if the host computer goes to sleep. Use Lyve Client to unlock Lyve Mobile Array when it is reconnected to the host or the host has awakened from sleep. Note that Lyve Client must be open and the user must be signed in to use Lyve Mobile Array.

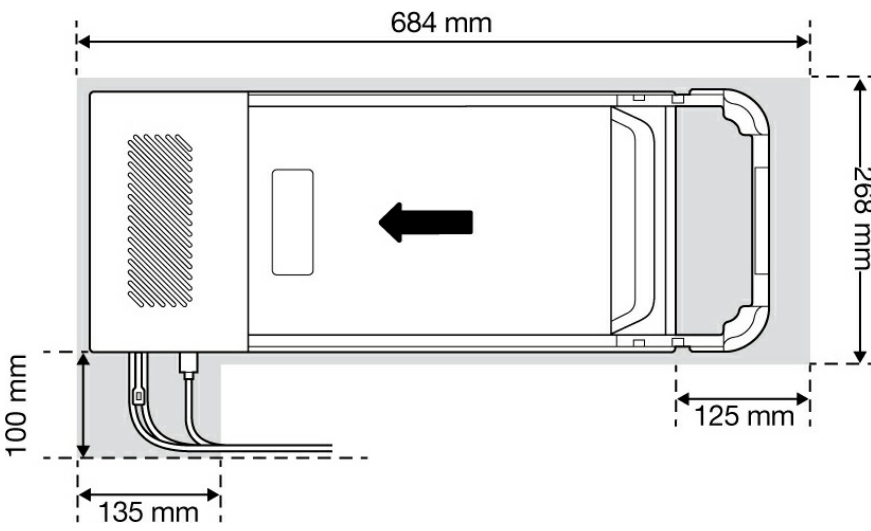
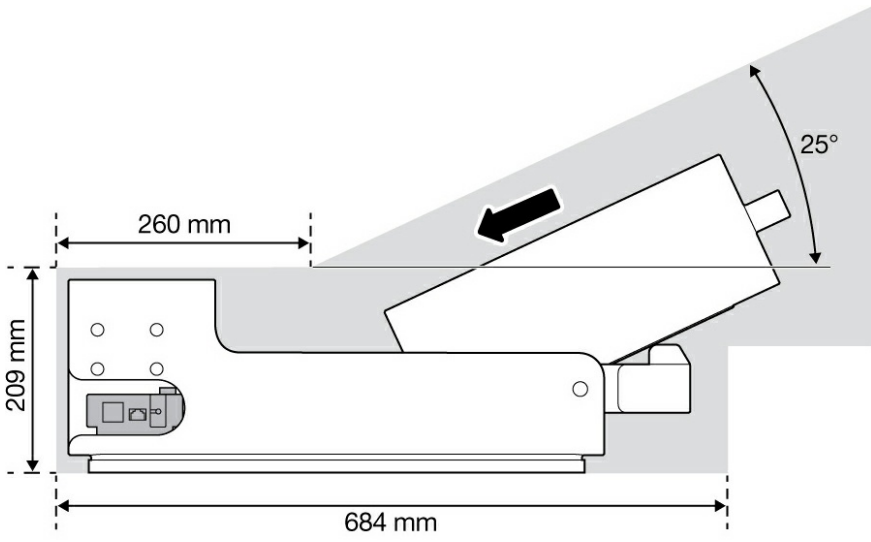
Install Lyve Mobile Mount

Before installing Lyve Mobile Array, ensure that Lyve Mobile Mount is securely fixed to the vehicle to avoid excessive motion.



To avoid damaging Lyve Mobile Array's enclosure, the cylindrical socket cap on the mounting screws cannot exceed 8mm in height.

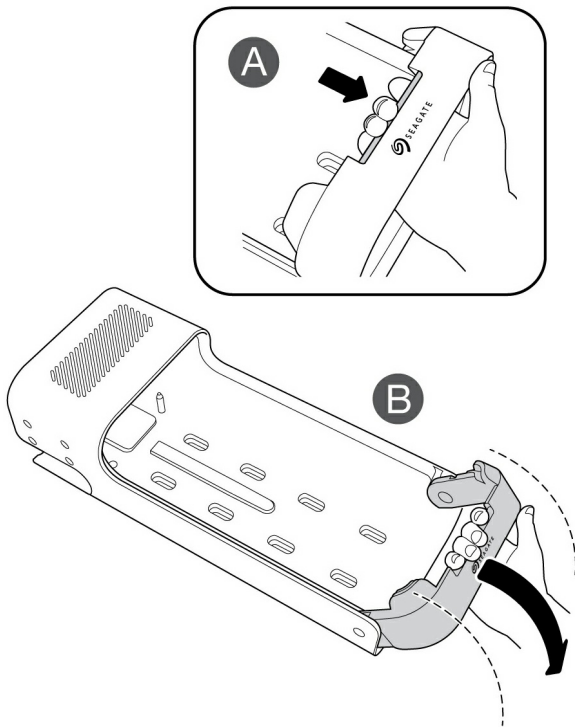
Recommended clearances



Connect Lyve Mobile Array

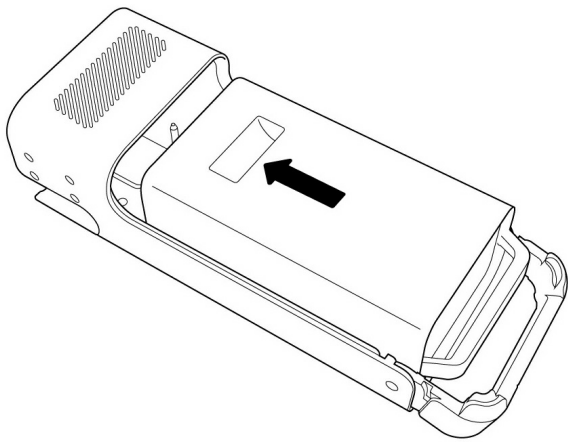
Step 1 - Release handle

Press the green release button and pull the handle down.



Step 2 - Insert and attach device

Insert Lyve Mobile Array with ports facing the back of Lyve Mobile Mount. Slide Mobile Array toward the back of the mount.



Step 3 - Lock device in place

Raise the handle and lock it in place.

